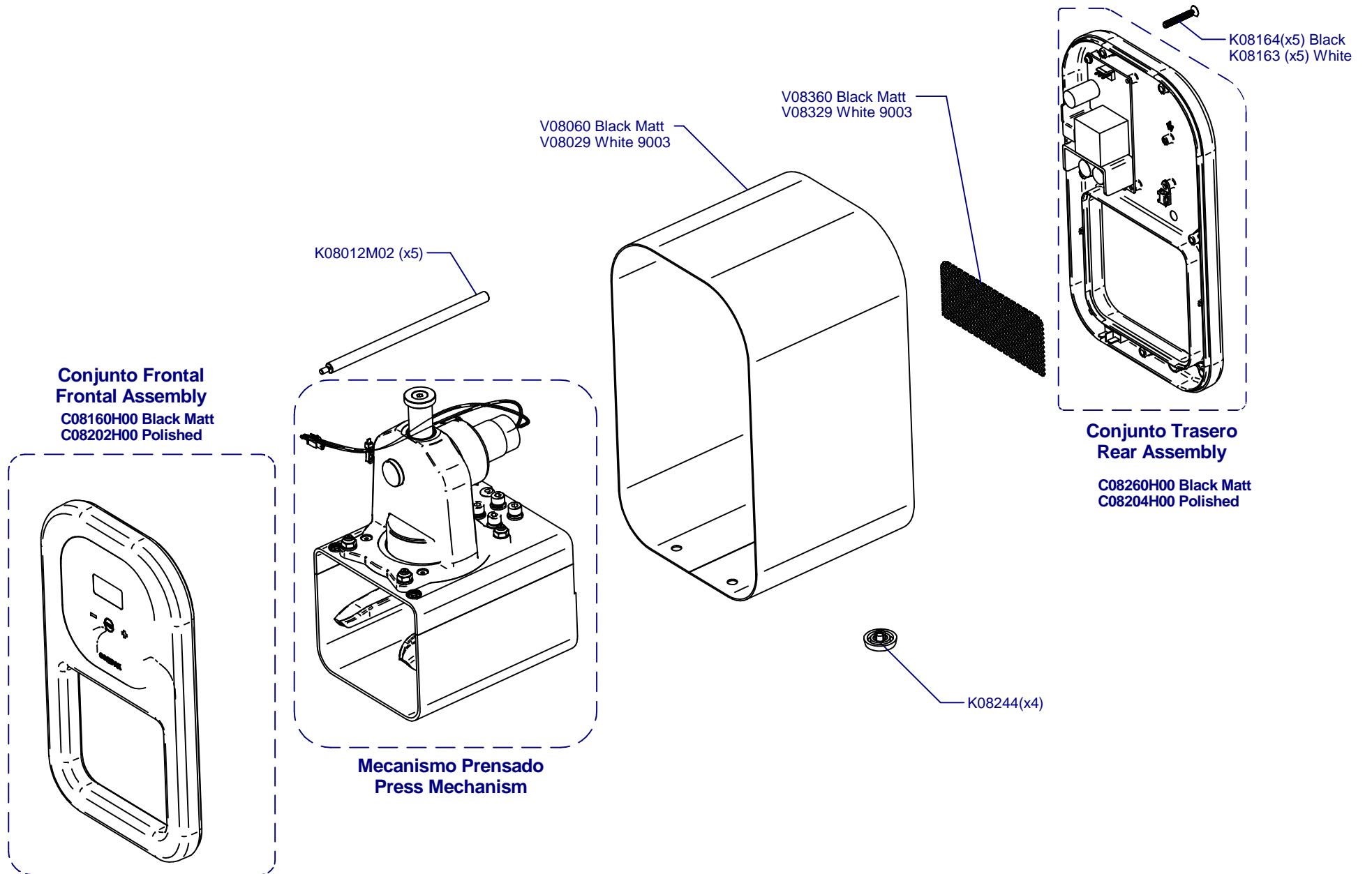


Cube Tamp



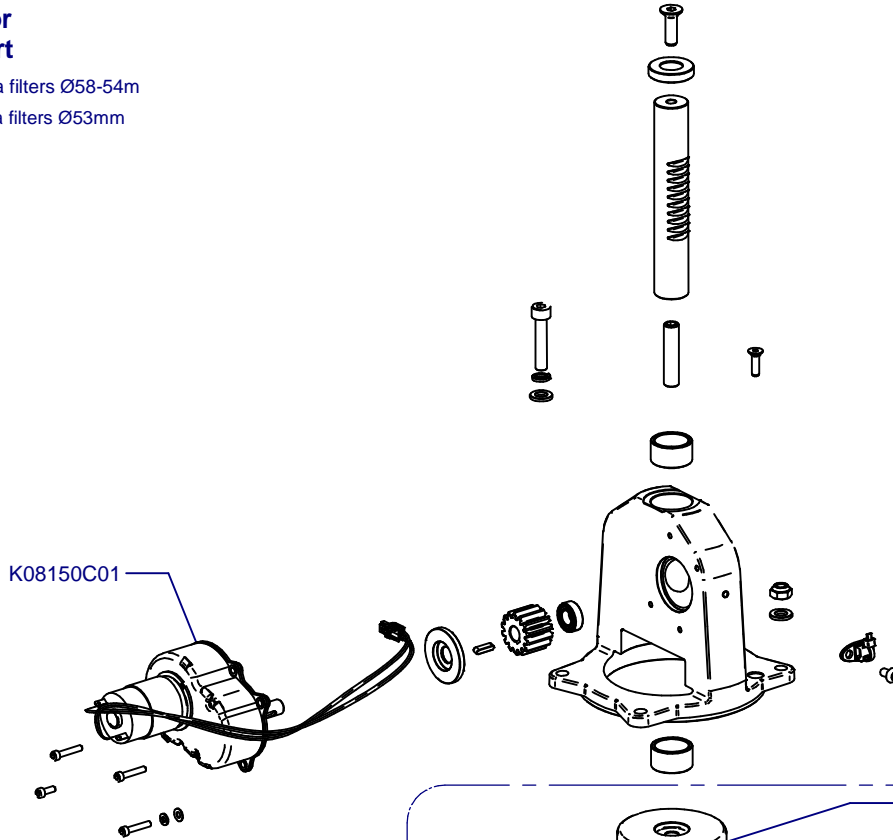
Cube Tamp

Updated 30/11/2020

**Mecanismo Prensado
Press Mechanism**

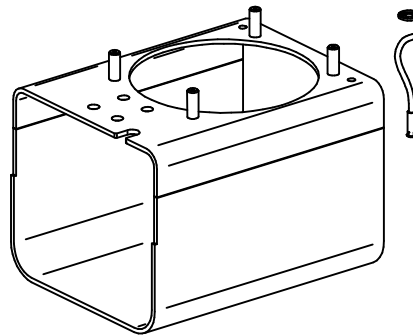
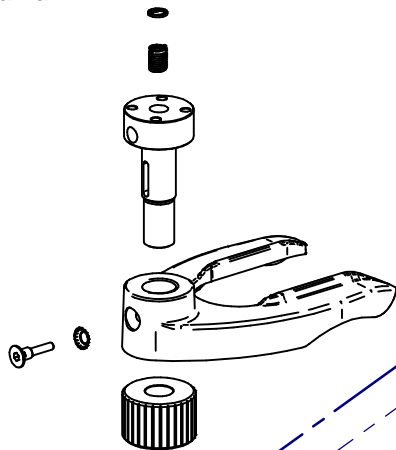
**Soporte Motor
Motor Support**

- C08110H02 Porta filters Ø58-54mm
- C08115H02 Porta filters Ø53mm



- K08129 Tamper Ø58,3mm
- K08128 Tamper Ø58 mm
- K08172 Tamper Ø54 mm
- K08145 Tamper Ø53 mm

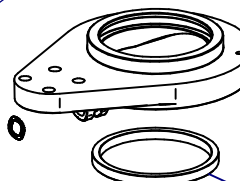
**Soporte Horquilla
Fork Support
C08212H02**



- Soporte interior Mecanismo
Inner Mechanism Support**
- C08212N03 Black Matt
 - C08212B03 White
 - C08213C00 Polished

**Soporte Portafiltros
Porta Filter Support**

- C08116H01 Porta filters Ø58-58,3mm
- C08117H02 Porta filters Ø53mm
- C08162H00 Porta filters Ø54mm



K08112

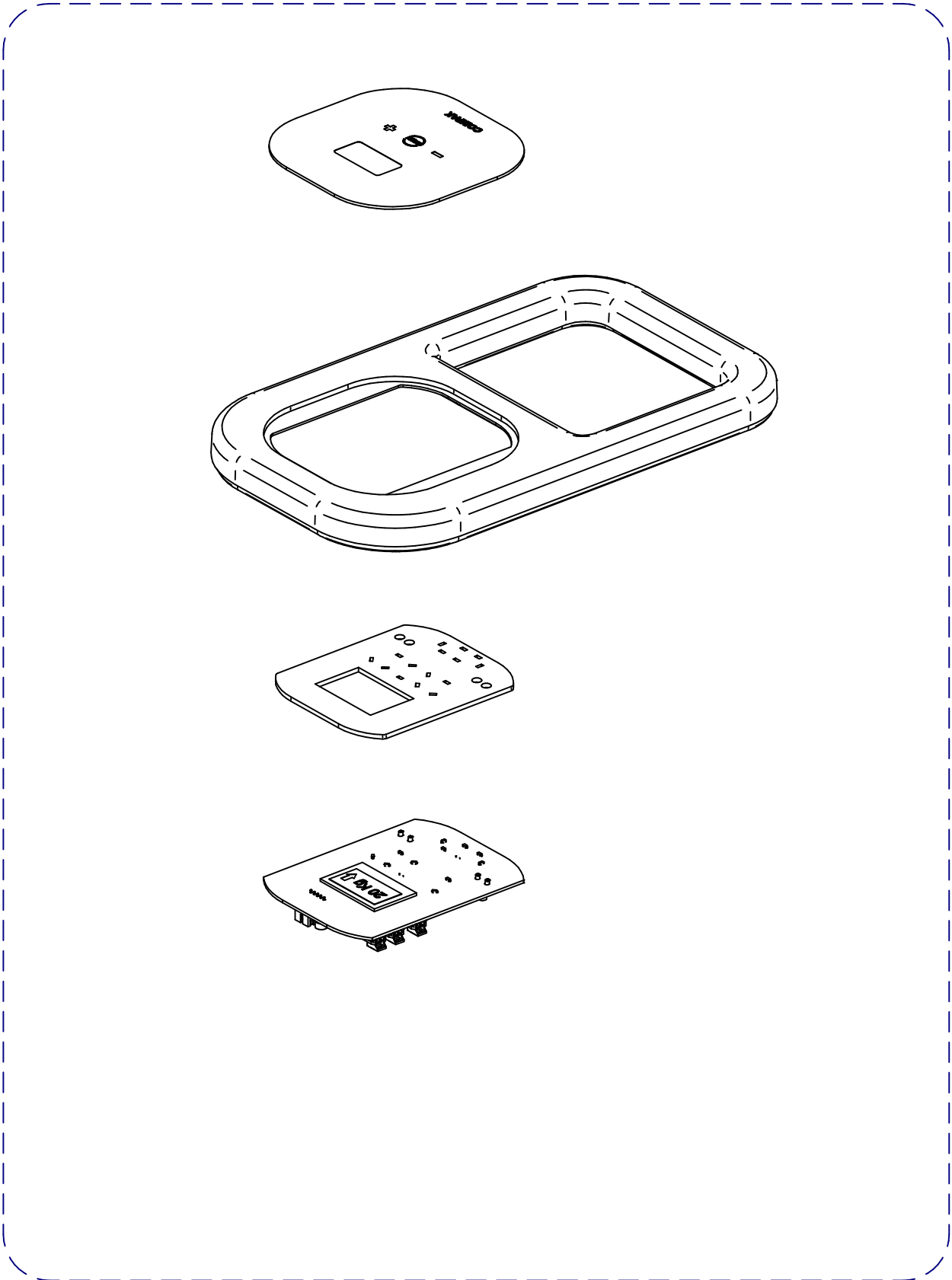
K08157C

Cube Tamp

Updated 30/11/2020

**Conjunto Frontal
Frontal Assembly**

**C08160H00 Black
C08202H00 Polished**



Cube Tamp

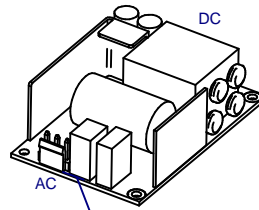
Updated 30/11/2020

**Conjunto Trasero
Rear Assembly**

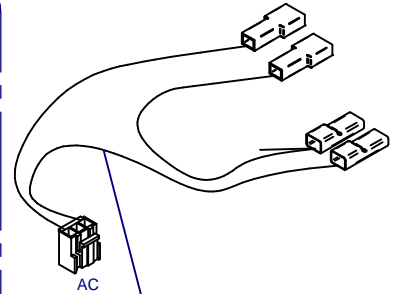
**C08260H00 Black Matt
C08204H00 Polished**

**Power Supply UL & CB
Fuente alimentación UL & CB**

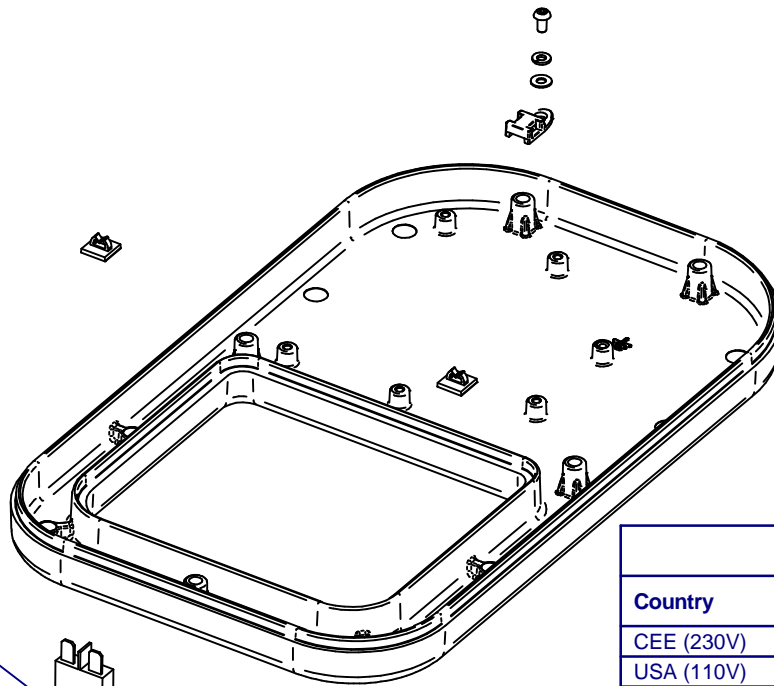
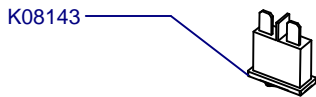
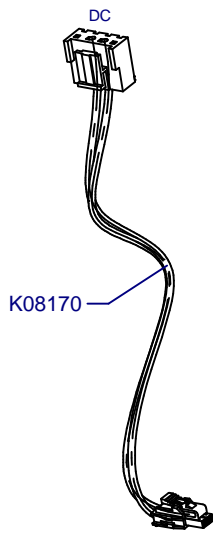
- K06025(x2)
- K08120(x2)
- K01379(x2)



- K08305H02
- K08307(x2)



- K08144H01 (230V) CB
- K08146H01 (110V) UL



AC Cables		
Country	L= 1,2 m	L=1,7m
CEE (230V)	K08158	K08158C01
USA (110V)	K08147	K08147C01
AUSTRALIA	K08148	
UK	K08149	K08149C01
SUIZA	K08151	K08151C01
ISRAEL	K08153	
ARGENTINA	K08167C00	
TAIWAN	K08168C00	

