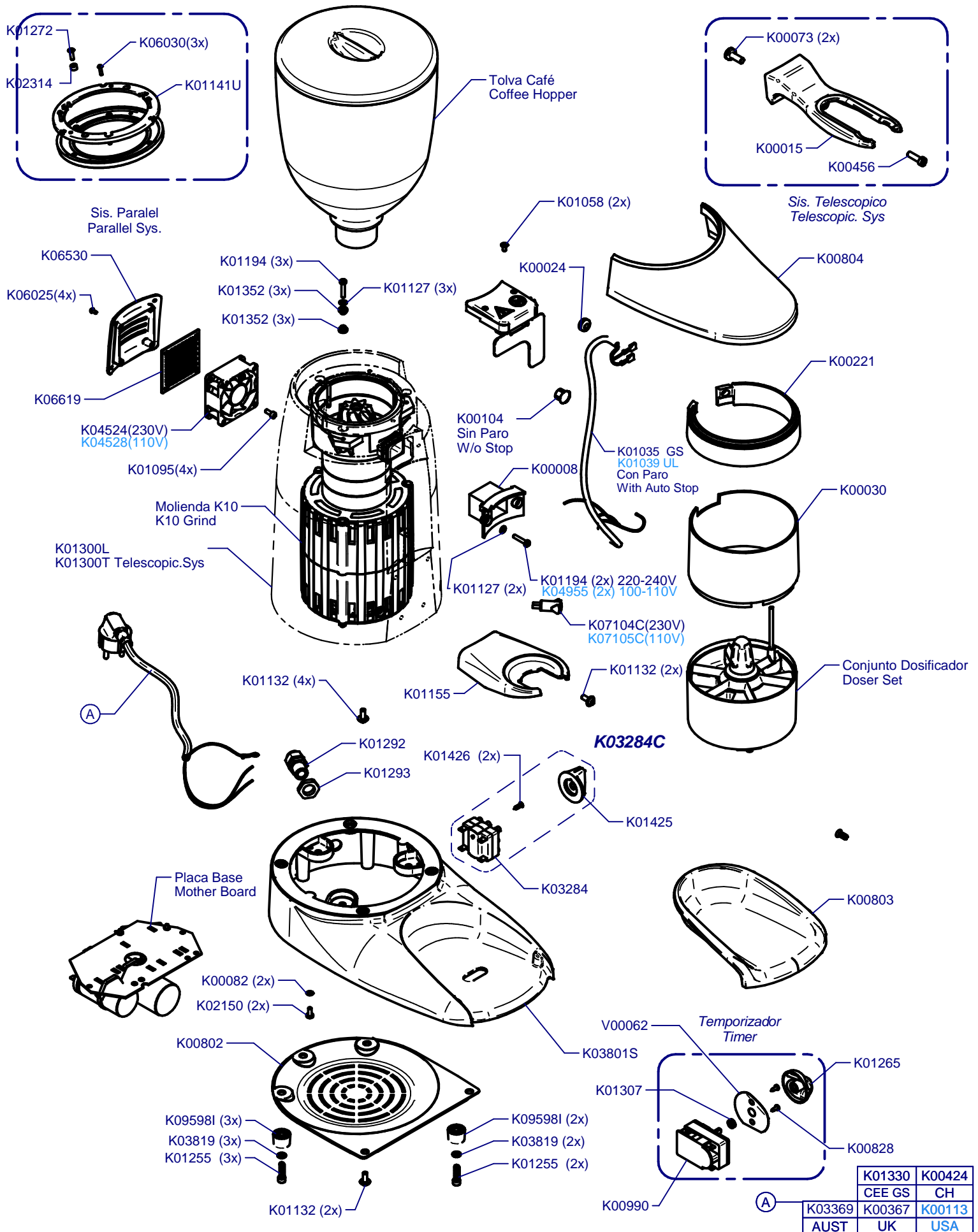


K10 Conic Traditional

Updated 19/04/2022

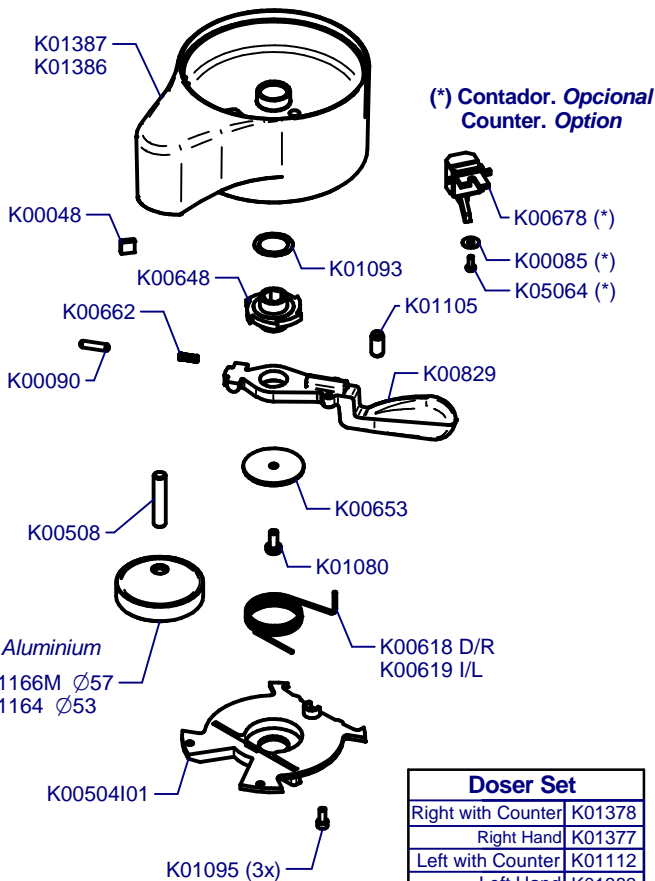
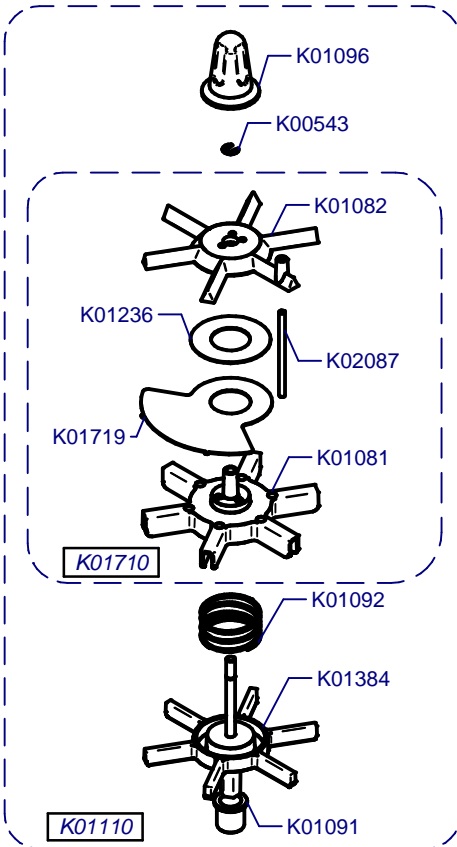


K01330	K00424
CEE GS	CH
K03369	K00367
AUST	UK
	K00113
	USA

K10 Conic Traditional

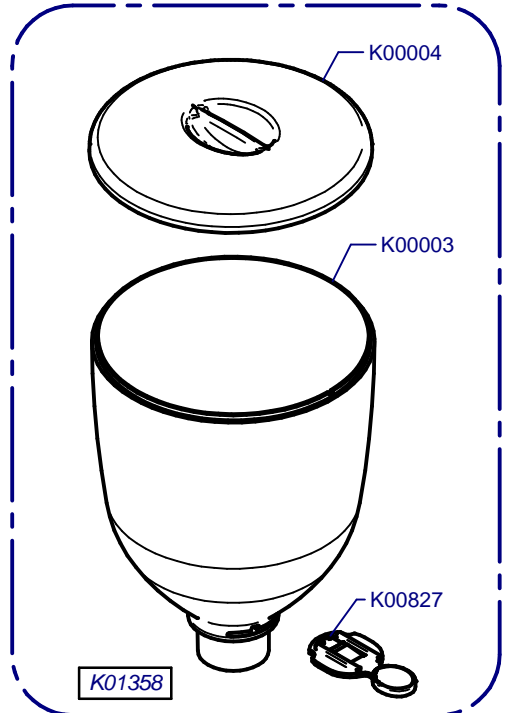
Updated 19/04/2022

Dosificador Aluminio/ Aluminium Doser

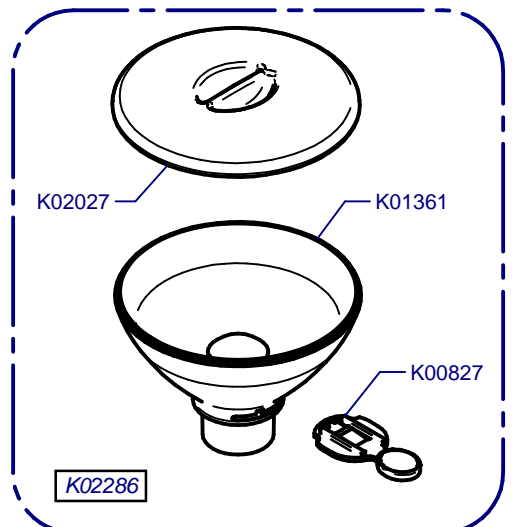


Doser Set	
Right with Counter	K01378
Right Hand	K01377
Left with Counter	K01112
Left Hand	K01383

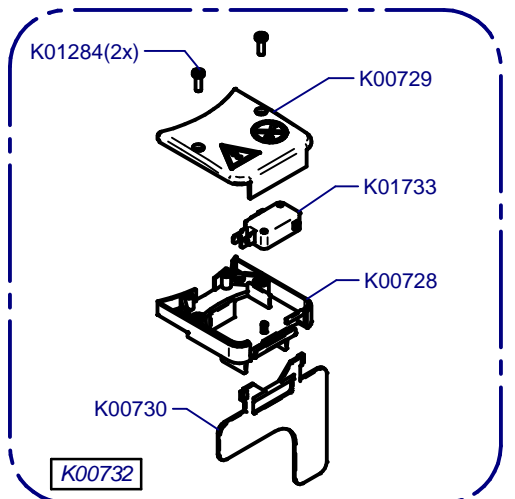
Tolva Café / Coffee Hopper



Tolva Café 275gr / Coffee Hopper 275gr



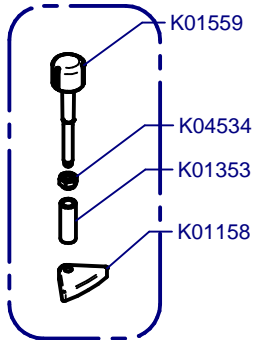
Paro Automático / Auto Stop



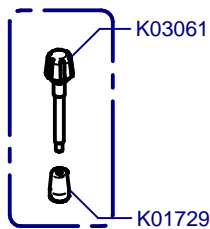
K10 Conic Traditional

Updated 19/04/2022

Molienda / Grind



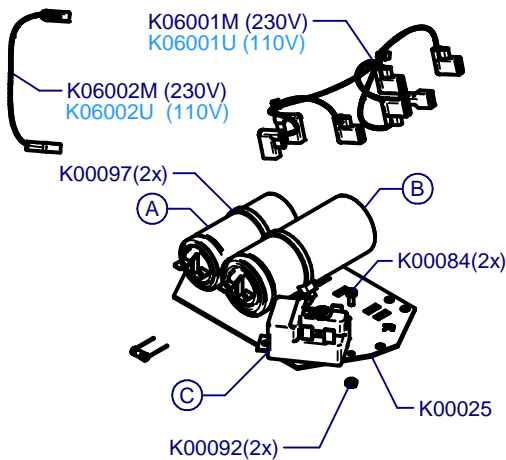
Sis. Paralel
Parallel Sys.



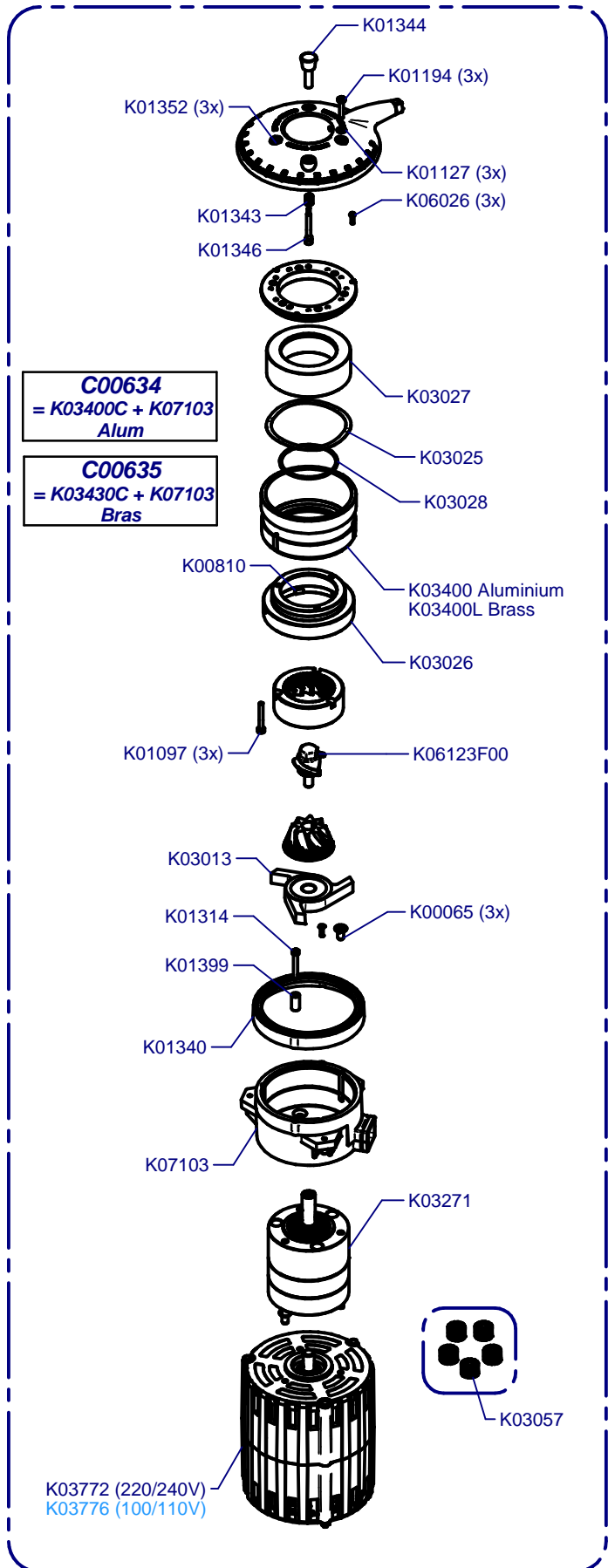
Sis. Micrometrico
Micrometric Sys.

(*) **Sis. Punto a Punto**
Stepped Sys.

Placa Base / Mother Board



C		A		B	
K00496	230-240V	K05108	K04574	230-240V	
K00488	220V	K05108	K04574	220V	
K03175	110V	K03174	K03878	110V	
K03824	100V	K03825	K03877	100V	



C00634
= K03400C + K07103
Alum

C00635
= K03430C + K07103
Bras

K03772 (220/240V)
K03776 (100/110V)

